

TREK-303

7" Smart Vehicle Display

NEW



Features

- 7" display with touchscreen supports both 480 x 234 and 800 x 480 resolutions for different LCD panels
- -30 to 70° C wide range temperature support
- Five user-defined function keys, 2 watt speaker, and USB host.
- Supports auto-adjust light sensor LCD backlight brightness control
- One cable connects with TREK-5xx series
- Wake up/power button on back for easy to wake up/power up; LCD backlight power button
- CE/FCC/e13 certified



Introduction

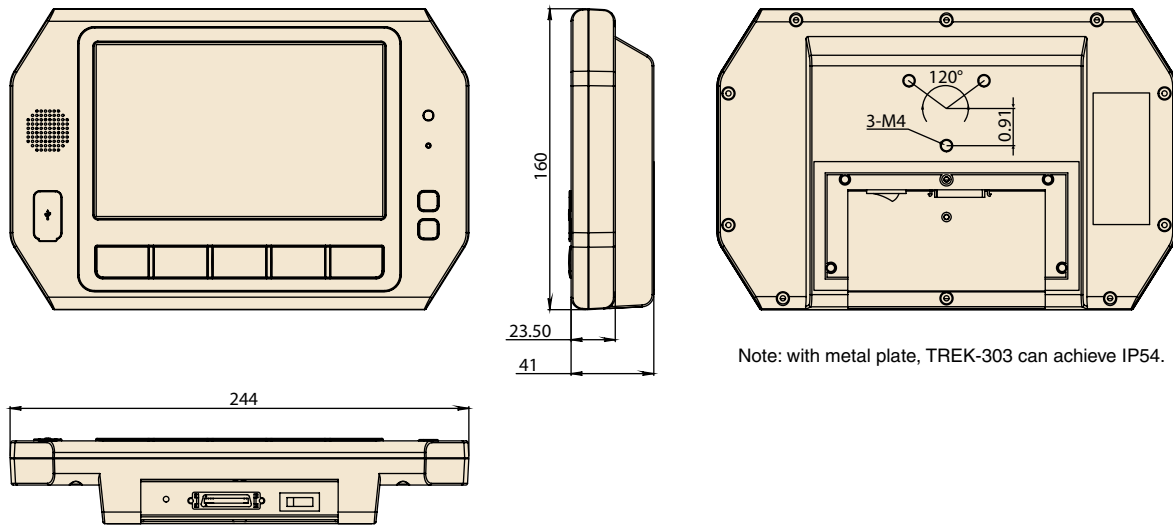
The TREK-303 is a vehicle display system for Mobile Resource Management (MRM) applications in trucks, buses and taxis. The TREK-303 touch panel is the perfect size for tight spaces; ideal for fleet management and dispatch applications. It also meets requirements for automotive grade working temperatures (-30 ~ 70° C). TREK-303 provides excellent display capabilities, featuring light-weight housing, compatible with RAM mounting solutions that customers can easily install. TREK-303 supports two display resolutions. The low resolution panel is design compatible with the TREK-510 vehicle computing system; the high resolution panel is design compatible with TREK-550 computing system. TREK-303 is designed with drivers in mind: when the system requires powering up or waking up, it can be easily controlled from the button located in back; and for night driving, the panel has an auto detecting light sensor to automatically adjust brightness. TREK-303 is a smart display designed especially for truck, bus, and taxi drivers.

Specifications

Display	Models	TREK-303R-LA0E	TREK-303R-HA0E
	Design Compatible Models	paired with TREK-510	paired with TREK-550
	Resolution(pixel)	480 x 234	800 x 480
	Number of Colors	262 K (supports 18-bit)	262K (supports 24-bit)
	Pixel Pitch	0.107 (W) x 0.37 (H)	0.2168 (H) x 0.2168 (V)
	Brightness (cd/m ²)	500 (typical) without touchscreen	500 (typical) without touchscreen
	View Angle (R/L/B/T)	70° / 70° / 60° / 60°	70° / 70° / 60° / 60°
	Contrast Ratio	300	500
	Lamp Life (hrs)	10,000 (min)	50,000 (min)
	Lamp Type	CCFL	LED
Touchscreen	Touchscreen	4-wire resistive (GFG 4-wire design reserve)	
Front plane	Speaker	2 watts	
	Hotkey	Supports 5 hotkeys (user defined)	
	Brightness Control	Light sensing (default), manually controlled by button (optional)	
	USB Host	x 1	
Back plane	Power /Wake Up Button	Yes	
	Reset Button	Yes	
Power	DC Input	12V +- 5%	
	Power Consumption	~8W (Max.)	~7W (Max.)
Mechanical	Mounting	Design compatible with RAM mount	
	Material	PC	
	Weight	1 kg	
	Dimensions	244 x 160 x 41 mm	
	IP rating	IP54 (without I/O connector)	
Environment	Operating Temperature	-30 to + 70° C	
	Storage Temperature	-40 to + 80° C	
	Vibration	MIL-STD-810F, SAE J1455 4.9.4.2	

Dimensions

Unit: mm



Fully Integrated I/O



- A. USB Host
- B. 5 programmable hotkeys
- C. D. Brightness control
- E. Power LED
- F. Light sensor
- G. Speaker

Note: Backlight off: Press C button to the lowest level

Packing List

Description	Quantity
TREK-303R	1



Power button LVDS connector

Ordering Information

Part Number	Description
TREK-303R-LA0E	7" vehicle display system, 480 x 234 resolution, with 4 wire resistive touchscreen, 2-watt speaker
TREK-303R-HA0E	7" vehicle display system, 800 x 480 resolution, with 4wire resistive touchscreen, 2-watt speaker
RAM-Mount-02	VESA RAM mount w/2.5" DIA. base, 1.5" ball
RAM-MOUNT-03	VESA RAM mount w/3.68" DIA., 2.25" ball