

POC-195

19" Point-of-Care Terminal with High Quality LCD Panel



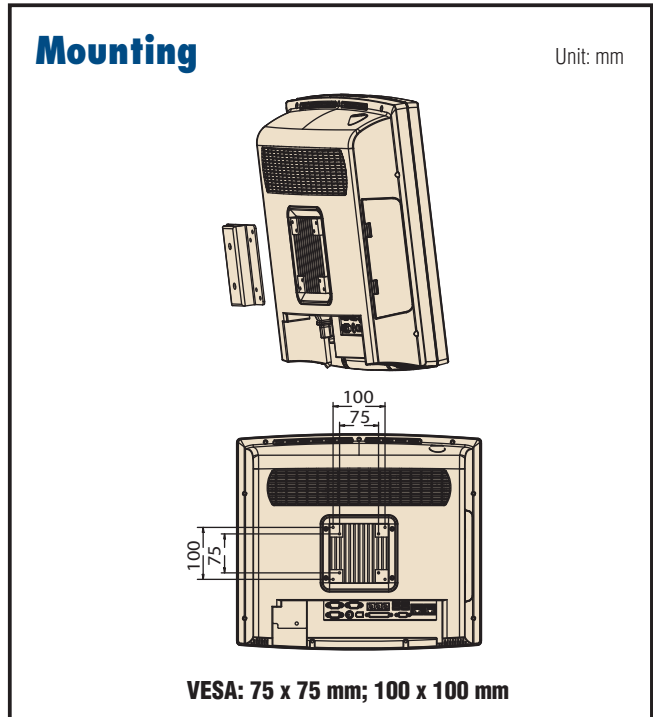
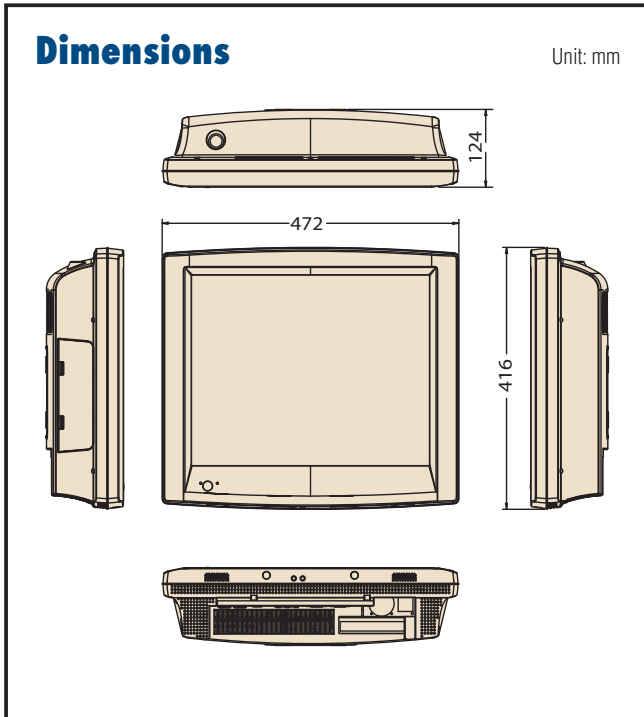
Features

- 19" high quality LCD display with 16.7M colors and 1300:1 contrast ratio
- User-Friendly design with front function keys
- Isolated design provides unique electric leakage protection for COM ports and LAN ports
- IPX1 water resistant enclosure with additional IP65 dust-tight front panel
- UL60601-1/EN60601-1, CE & FCC Class B certified
- Optional 802.11b/g WLAN module, touchscreen



Specifications

| | | |
|--------------------------|------------------------|-------------------------------------------------------------------------------------------------------------------------------------------------------------------------------|
| Computing System | Chipset | 915GME GMCH/ICH6-M Chipset |
| | CPU | Intel Pentium M processor (Socket 479); up to 2.0 GHz |
| | Front Side Bus | 533 MHz |
| | Memory | DDR2 400/533 Unbuffered Non ECC x 2 (max. 2 GB) |
| Graphics | Controller | 915GME GMCH integrated (GMA 900) |
| Expansion Slot | Mini PCI | 1 x mini PCI slot, supports type IIIA Mini PCI |
| | PCI | 1 x PCI 2.2, accepts low profile PCI Card |
| Storage | HDD | 1 x 2.5" IDE or 1 x 2.5" SATA |
| Ethernet | Interface | 2 x Gigabit Ethernet (isolated) interfaces (RJ-45) |
| I/O Ports | | 2 x RS-232 (isolated) and RS-232/422/485 (isolated) serial ports; 6 x USB 2.0 ports; 3 x IEEE 1394a ports, 1 x Parallel port 1 x PS/2 mouse and K/B; 1 x D-sub VGA port |
| Audio | | 2 x 1 W speakers; 1 x MIC-in and 1 x Line-in, 1 x Line-out |
| Optical Device | | 1 x COMBO(CD-R,DVD-ROM) |
| Display | Display type | 19" TFT LCD |
| | Max. Resolution | 1280 x 1024 |
| | Max. Colors | 16.7M color (RGB 8 bits) |
| | Dot size (mm) | 0.294 x 0.294 |
| | Viewing angle | 178°/178° |
| | Luminance | 300 cd/m ² |
| | Contrast ratio | 1300 : 1 |
| | LCD MTBF | 50,000 hours |
| | Backlight lifetime | 50,000 hours at 6.5 mA |
| Power Supply | AC Model | Internal ATX power supply |
| | Input voltage | 100 ~ 250 V _{AC} , 4/2 A max. @ 50 ~ 60 Hz |
| | Output voltage | +5 V @ 12 A, +12 V @ 12 A, +3.3 V @ 16.8 A, +5 Vsb @ 2.0 A, -12 V @ 0.8 A (180 watts) |
| Optional Touchscreen | Type | Analog Resistive |
| | Light transmission | 75% |
| | Controller | RS-232 interface (uses COM4) |
| | Durability | 30 million touches |
| Environment | Temperature | 0 ~ 40° C (32 ~ 104° F) (Operating) |
| | Humidity | 10 ~ 95% @ 40° C (non-condensing) |
| | Shock Resistance | 30G peak acceleration (11ms duration) |
| | Water/dust Resistance | IPX1 compliant |
| Physical Characteristics | Dimensions (W x H x D) | 472 x 416 x 124 mm (18.58" x 16.38" x 4.88") |
| | Weight | 10.5 Kg (23.15 lb) |



Ordering Information

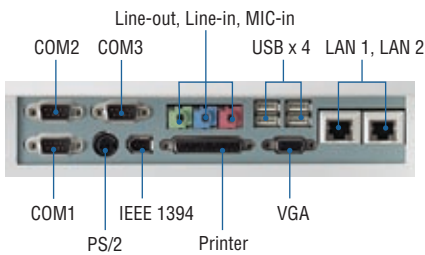
| Part Number | Touch Panel | CPU | HDD 24 x 7 | RAM |
|------------------|-------------|-------------------------|------------|------|
| POC-195CB-AC-AE | - | - | - | - |
| POC-195CB-AC-ATE | Res.TS | - | - | - |
| POC-195CB-PE | - | Intel Pentium M 2.0 GHz | 40 G SATA | 1 GB |
| POC-195CB-PTE | Res.TS | Intel Pentium M 2.0 GHz | 40 G SATA | 1 GB |

Accessories

| Part Number | Description |
|-------------|-----------------------------------------------------------|
| 1702002600 | Power Cable (USA) 1.83M |
| 1702002605 | Power Cable (EUROPE) 1.8M |
| * | 802.11b/g wireless LAN mini-PCI module & external antenna |

* This accessory goes with the T Part Number. Please contact Advantech sales for more details.

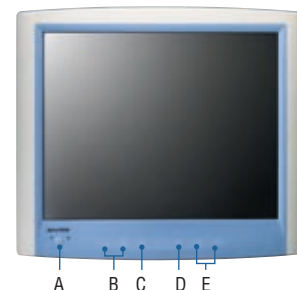
Rear I/O



Design of side cover prevents unauthorized access to disc and protects against water splashes

Packing List

| Part Description | Quantity |
|--------------------------------------|----------|
| CABLE 6P-6P-6P PS/2 KB & MOUSE 20 cm | 1 |
| HDD Frame for 2.5" HDD | 1 |
| User Note VESA Mounting Screws | 1 |
| CD-ROM for POC-195 Driver & Utility | 1 |
| Advantech 2-year warranty card | 1 |
| Nero CD Burning utility | 1 |
| CyberLink Power DVD utility | 1 |



- A. Power Button
- B. Brightness Control Button
- C. Book Light
- D. Touchscreen
- E. Audio Control Button