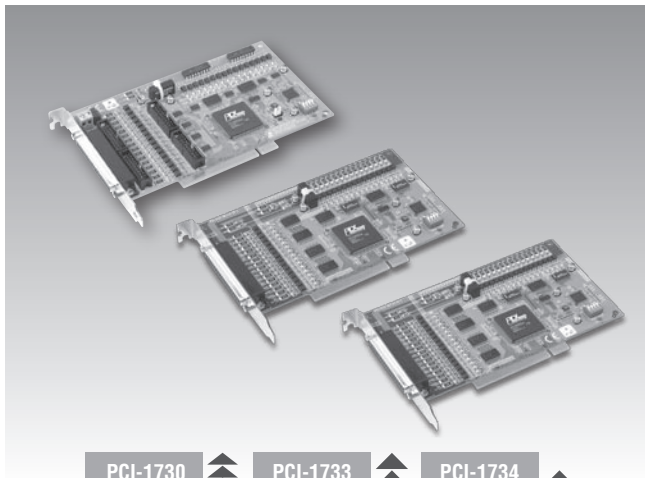


PCI-1730 PCI-1733 PCI-1734

32-ch Isolated Digital I/O PCI Card

32-ch Isolated Digital Input PCI Card

32-ch Isolated Digital Output PCI Card



PCI-1730

PCI-1733

PCI-1734



Features

- ISA-Compatible with PCL-730/733/734
- 32-ch Isolated DI/O (16 inputs and 16 outputs)
- 32-ch TTL Isolated DI/O (16 inputs and 16 outputs)
- High output driving capacity
- Interrupt capability
- Two 20-pin connectors for isolated digital I/O channels and two for TTL digital I/O channels
- D-type connector for isolated input and output channels
- High-voltage isolation on output channels

Introduction

PCI-1730, PCI-1733, and PCI-1734 offer isolated digital input channels as well as isolated digital output channels with isolation protection up to 2,500 V_{DC}, which makes them ideal for industrial applications where high-voltage isolation is required. There are also 32 TTL DI/O channels.

Specifications

Digital Input

- **Channels** 16 (16-ch/group)
- **Compatibility** 5 V/TTL
- **Input Voltage** Logic 0: 0.8 V max.
Logic 1: 2.0 V min.
- **Interrupt Capable Ch.** 2 (DI0, DI1)

Isolated Digital Input

- **Channels** 16 (16-ch/group)
- **Input Voltage** Logic 0: 1 V max. (2 V max.)
Logic 1: 5V min. (30 V max.)
- **Interrupt Capable Ch.** 2 (IDI0, IDI1)
- **Isolation Protection** 2,500 V_{DC}
- **Opto-Isolator Response** 25 μs
- **Input Resistance** 2.7 kΩ @ 1 V

Digital Output

- **Channels** 16 (16-ch/group)
- **Compatibility** 5 V/TTL
- **Output Voltage** Logic 0: 0.8 V max.
Logic 1: 2.0 V min.
- **Output Capability** Sink: 24 mA
Source: 15 mA

Isolated Digital Output

- **Channels** 16 (16-ch/group)
- **Output Type** Sink type (NPN)
- **Isolation Protection** 2,500 V_{DC}
- **Output Voltage** 5 ~ 40 V_{DC}
- **Sink Current** 200 mA max./channel
- **Opto-Isolator Response** 25 μs

General

- **Bus Type** PCI V2.2
- **I/O Connectors** 1 x 37-pin D-type female
2 x 20-pin box header for flat cable
- **Dimensions (L x H)** 175 x 100 mm (6.9" x 3.9")
- **Power Consumption** Typical: 5 V @ 250 mA, 12 V @ 35 mA
Max: 5 V @ 400 mA, 12 V @ 60 mA
- **Operating Temperature** 0 ~ 60° C (32 ~ 140° F)
- **Storing Temperature** -25 ~ 85° C (-13 ~ 185° F)
- **Storing Humidity** 5 ~ 95% RH, non-condensing (see IEC 68-2-3)

Ordering Information

- **PCI-1730** 32-ch Isolated DI/O Card
- **PCI-1733** 32-ch Isolated DI Card
- **PCI-1734** 32-ch Isolated DO Card
- **PCL-10120-1** 20-pin flat cable, 1 m
- **PCL-10120-2** 20-pin flat cable, 2 m
- **PCLD-782** 16-ch opto-isolated DI board
- **ADAM-3920** 20-pin flat cable wiring terminal for DIN-rail mounting
- **PCLD-885** 16-ch power relay (form A) output board
- **PCLD-785** 16-ch relay output board
- **PCLD-786** 8-ch SSR I/O module carrier board
- **PCLD-780** Universal screw terminal board
- **PCLD-880** Universal screw terminal board
- **ADAM-3937** DB37 wiring terminal for DIN-rail mounting
- **PCL-10137-1** DB37 cable, 1 m
- **PCL-10137-2** DB37 cable, 2 m
- **PCL-10137-3** DB37 cable, 3 m